



Construction equipment

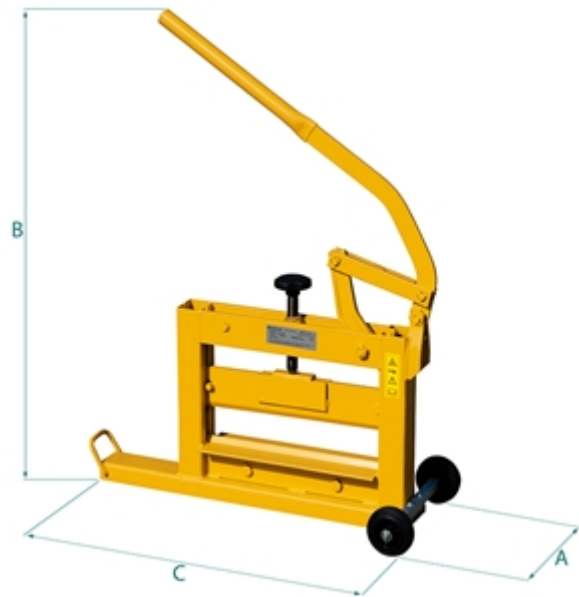
Technical Data Sheet

HANDLING EQUIPMENT

Paving splitter

PTB

Block cutter suitable for cutting bricks, gravel and stones.
Easy to handle, safe and resistant with temperate blades.



MODEL	DIMENSIONS (mm)			CUTTING WIDTH (mm)	CUTTING DEPTH (mm)	MIN. CUT (mm)	WEIGHT (kg)
	A	B	C				
PTB-M	120	820	580	410	50-110	30	40



Boscaro srl
Via G. Cederle, 1 - 36020

Tel +39 0444 866520
Fax +39 0444 866350

